

# Barudan

MONOGRAM & EMBROIDERY MACHINE

# BEAT-702

# PARTS BOOK

V10013

(REV.)

**BARUDAN CO., LTD.**

ADDRESS 20-TSUKAGOSHI, JOSUJI  
ICHINOMIYA-CITY, AICHI-PREF.  
JAPAN

TEL. <0586> 76-1137  
TELEX 4573268 BARUNA J  
CABLE BARUNA ICHINOMIYA



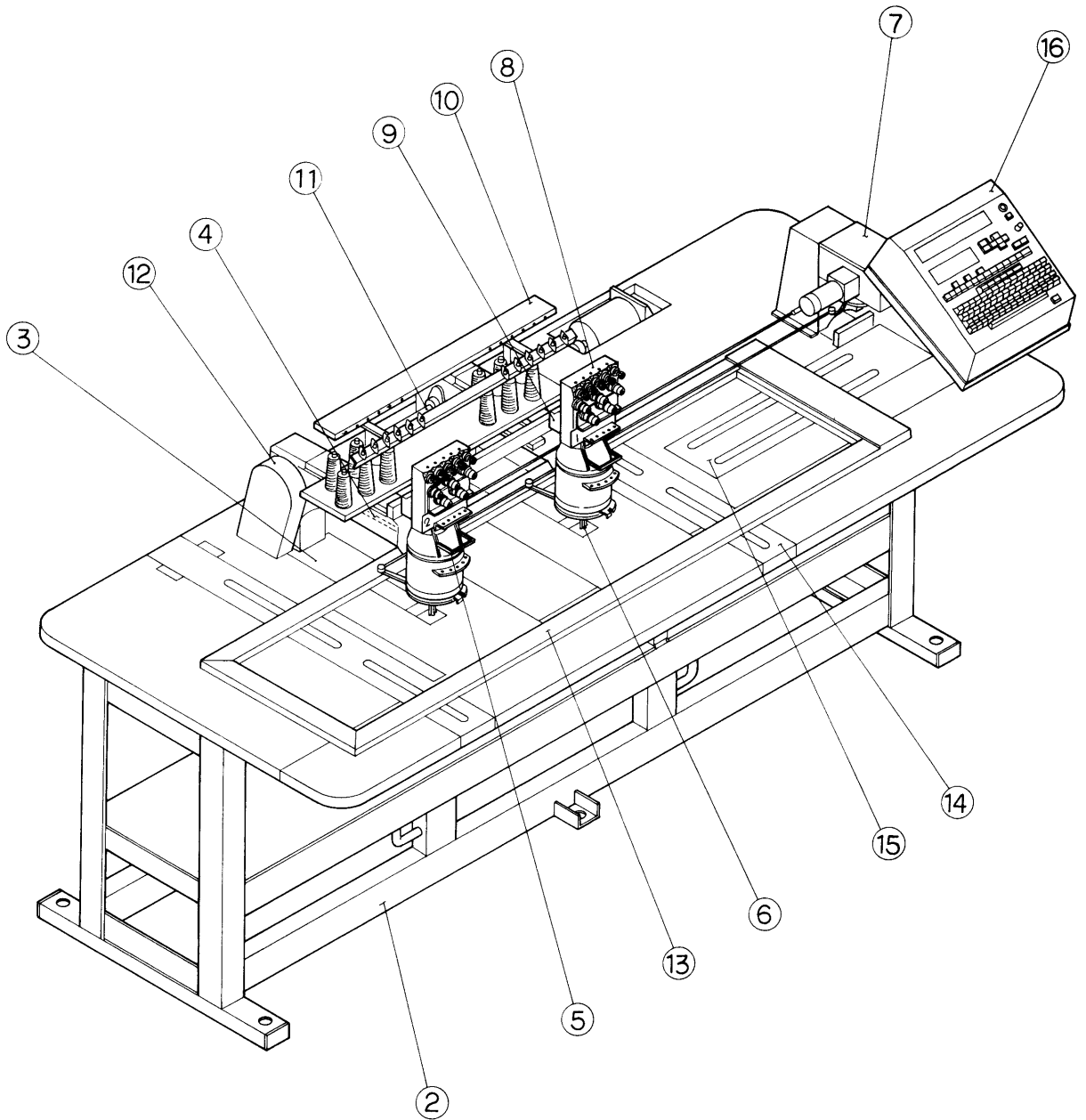


# BEAT-702 MONOGRAM MACHINE PARTS BOOK

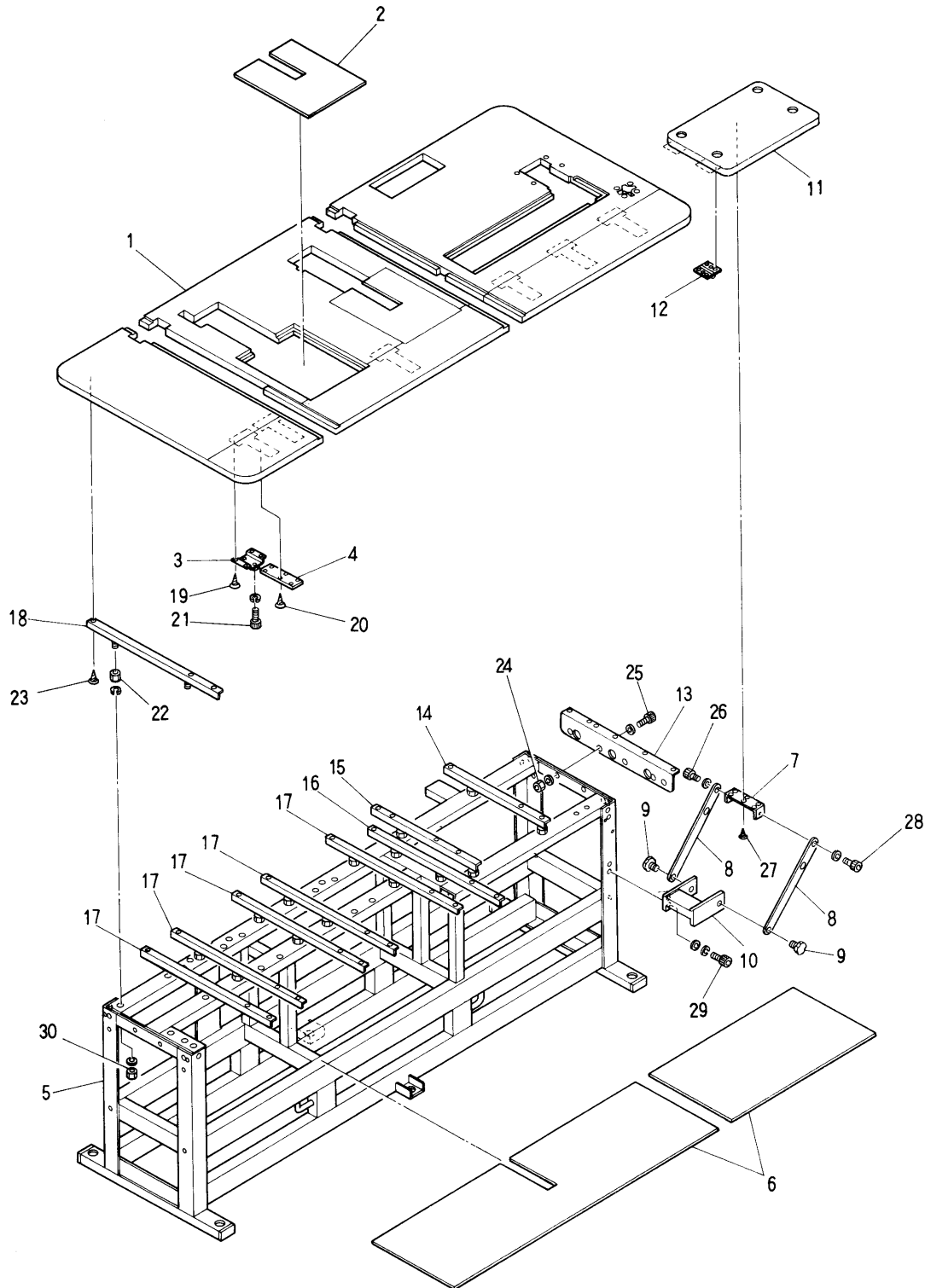
## TABLE OF CONTENTS

	PAGE No.
① MACHINE LAYOUT (702).....	1
② FRAME & TABLE ASSY (702).....	2
③ SEWING HEAD ASSY.....	3
④ SEWING HEAD DRIVE ASSY.....	4
⑤ TAKE UP LEVER ASSY.....	5
⑥ NEEDLE BAR ASSY.....	6
⑦ COLOR CHANGE ASSY.....	7
⑧ THREAD GUIDE ASSY.....	8
⑨ JUMP STITCH ASSY.....	9
⑩ THREAD STAND (702).....	10
⑪ DRIVE SHAFT ASSY.....	11
⑫ DRIVE MOTOR ASSY (702).....	12
⑬-REV. PANTOGRAPH DRIVE ASSY I (702).....	13
⑭-REV. PANTOGRAPH DRIVE ASSY II (H).....	14
⑮ PANTOGRAPH DRIVE ASSY III (V).....	15
⑯ ELECTRONIC CONTROL.....	16
INDEX.....	17~21

# ① MACHINE LAYOUT (702)



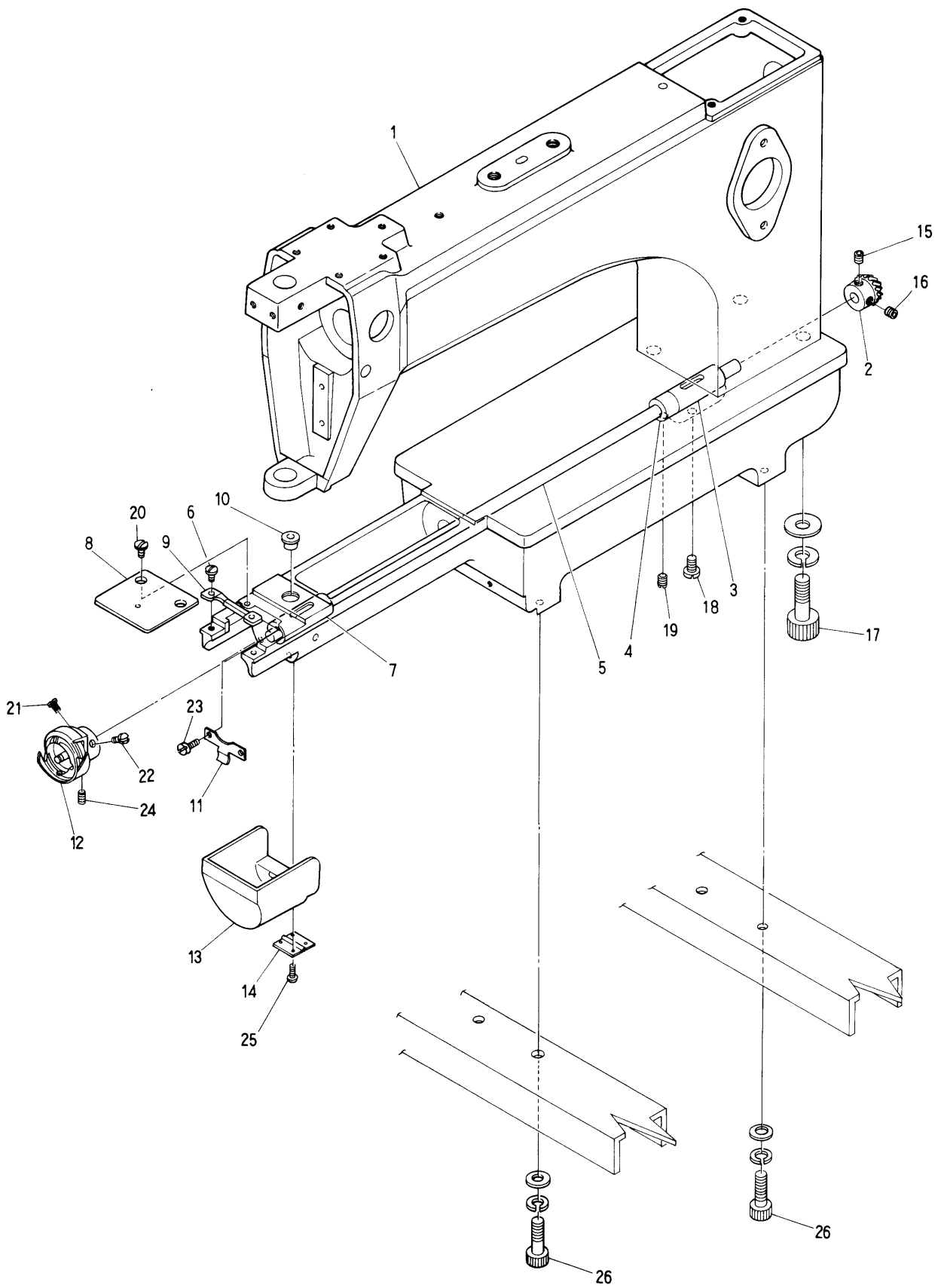
## ② FRAME & TABLE ASSY (702)



## ② FRAME & TABLE ASSY (702)

Item No.	Parts No.	Description	
1	15G2U01	TABLE (PROFIT-702, 320X450)	KU151621
2	1266G02	TAKE-OUT INSERT	KG120662
3	1438A	SUPPOURT TABLE BRAKET	MA140380
	1467A	SUPPOURT TABLE BRAKET (SMALL)	MA140670
4	1469A	SUPPOURT TABLE (BIG)	MA140690
	1468A	SUPPOURT TABLE (SMALL)	MA140680
5	16G2U01	MACHINE FRAME (PROFIT-702, 320X450)	KU161621
6	15H2U00	LOWER SHELF	KU151720
7	1476A	POSITION TABLE BRACKET	MA140760
8	1478A	STAY	MA140780
9	91208	KNOB BOLT M10	A9012008
10	1474A	STAY MOUNT BRACKET	MA140740
11	1475A	FMC TABLE	MA140750
12	1496A00	FMC TABLE HINGE B-1-4	MA140960
13	1280U00	TABLE SUPPORT	KU120800
14	1284C	TABLE SUPPORT 555L	KC120840
15	1284U00	TABLE SUPPORT	KU120840
16	1455U00	TABLE SUPPORT	KU140550
17	1453A	TABLE SUPPORT NO. 1	MA140530
18	1458A	TABLE SUPPORT	MA140580
19		SCREW	
20		SCREW	
21		SCREW	
22		NUT	
23		SCREW	
24		NUT	
25		SCREW	
26		SCREW	
27		SCREW	
28		SCREW	
29		SCREW	
30		NUT	

### ③ SEWING HEAD ASSY

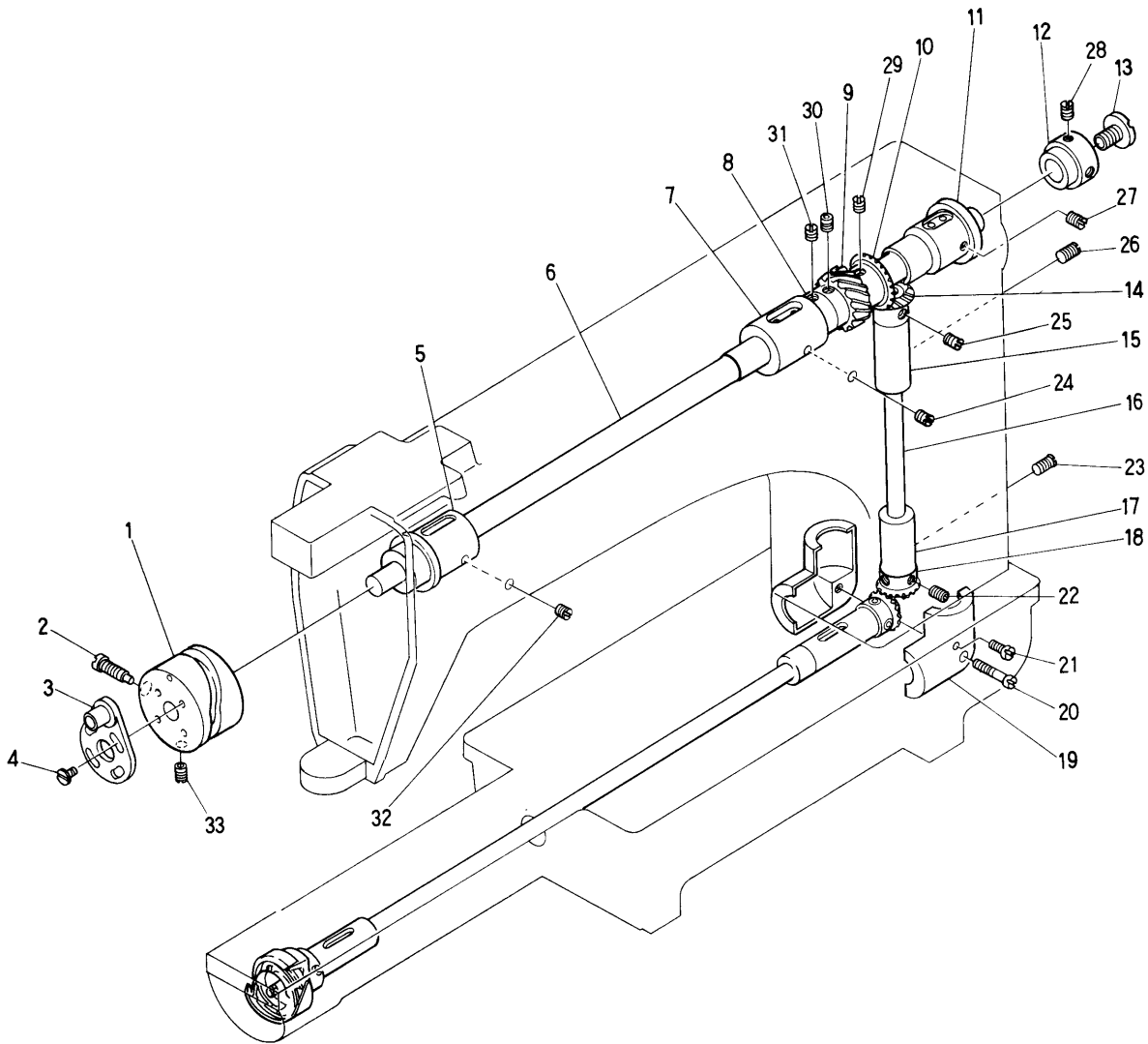




### ③ SEWING HEAD ASSY

Item No.	Parts No.	Description	
1	2180U00	SEWING HEAD (A) UF	KU210800
	2182U00	SEWING HEAD (B) UF	KU210820
	2181U00	SEWING HEAD (A) UG	KU210810
	2183U00	SEWING HEAD (B) UG	KU210830
2	2248F	BEVEL GEAR (HOOK SHAFT)	KF220480
3	2222F	HOOK SHAFT BUSH (REAR)	KF220220
4	2229F	COLLAR	KF220290
5	2221C	HOOK SHAFT	KC220210
6	91207	HOOK RETAINING FINGER SCREW	A9012007
7	2223F	BUSH (HOOK SHAFT)	KF220230
8	2513A01	NEEDLE PLATE	MA250131
9	2251A	HOOK BASE RETAINING FINGER	MA220510
10	2255F	DUST PROOF OILER	KF220550
11	2548C01	SCREW	KC250481
12	2231F	SEWING HOOK AND BASE	KF220310
13	2547C01	HOOK COVER	KC250471
14	91227	HINGE	A9012027
15		SCREW	
16		SCREW	
17		SCREW	
18		SCREW	
19		SCREW	
20		SCREW	
21		SCREW	
22		SCREW	
23		SCREW	
24		SCREW	
25		SCREW	
26		SCREW	

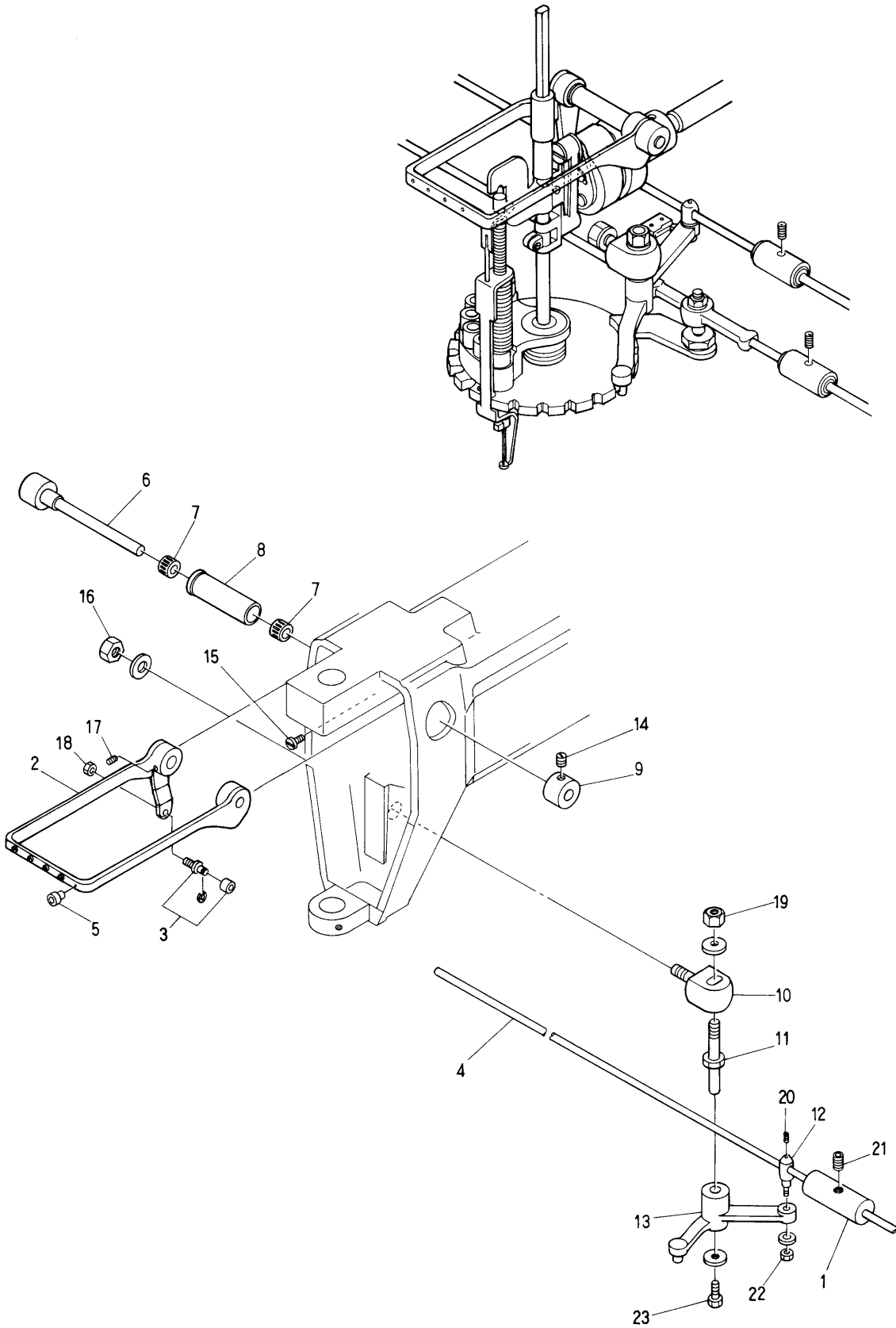
# ④ SEWING HEAD DRIVE ASSY



## ④ SEWING HEAD DRIVE ASSY

Item No.	Parts No.	Description	
1	2341N00	TAKE UP LEVER CAM	KN230410
2	2342F	LOCATING SCREW	KF230420
3	2343N00	CRANK	KN230430
4	91207	CAM SCREW	A9012007
5	2214F	FRONT ARM SHAFT BUSH	KF220140
6	2211F	ARM SHAFT	KF220110
7	2216F	ARM SHAFT CENTRE BUSH	KF220160
8	2218F	COLLAR	KF220180
9	2212F	HELICAL GEAR	KF220120
10	2213F	BEVEL GEAR (LARGE)	KF220130
11	2215F	REAR BUSH	KF220150
12	2219F	COLLAR	KF220190
13	2245F	REAR LOCKING SCREW	KF220450
14	2246F	BEVEL GEAR (SMALL)	KF220460
15	2224F	VERTICAL SHAFT BUSH (UPPER)	KF220240
16	2225F	VERTICAL SHAFT BUSH	KF220250
17	2223F	BUSH	KF220230
18	2247F	BEVEL GEAR (VERTICAL SHAFT)	KF220470
19	2227F	GEAR COVER (RHS)	KF220270
20		SCREW	
21		SCREW	
22		SCREW	
23		SCREW	
24		SCREW	
25		SCREW	
26		SCREW	
27		SCREW	
28		SCREW	
29		SCREW	
30		SCREW	
31		SCREW	
32		SCREW	
33		SCREW	

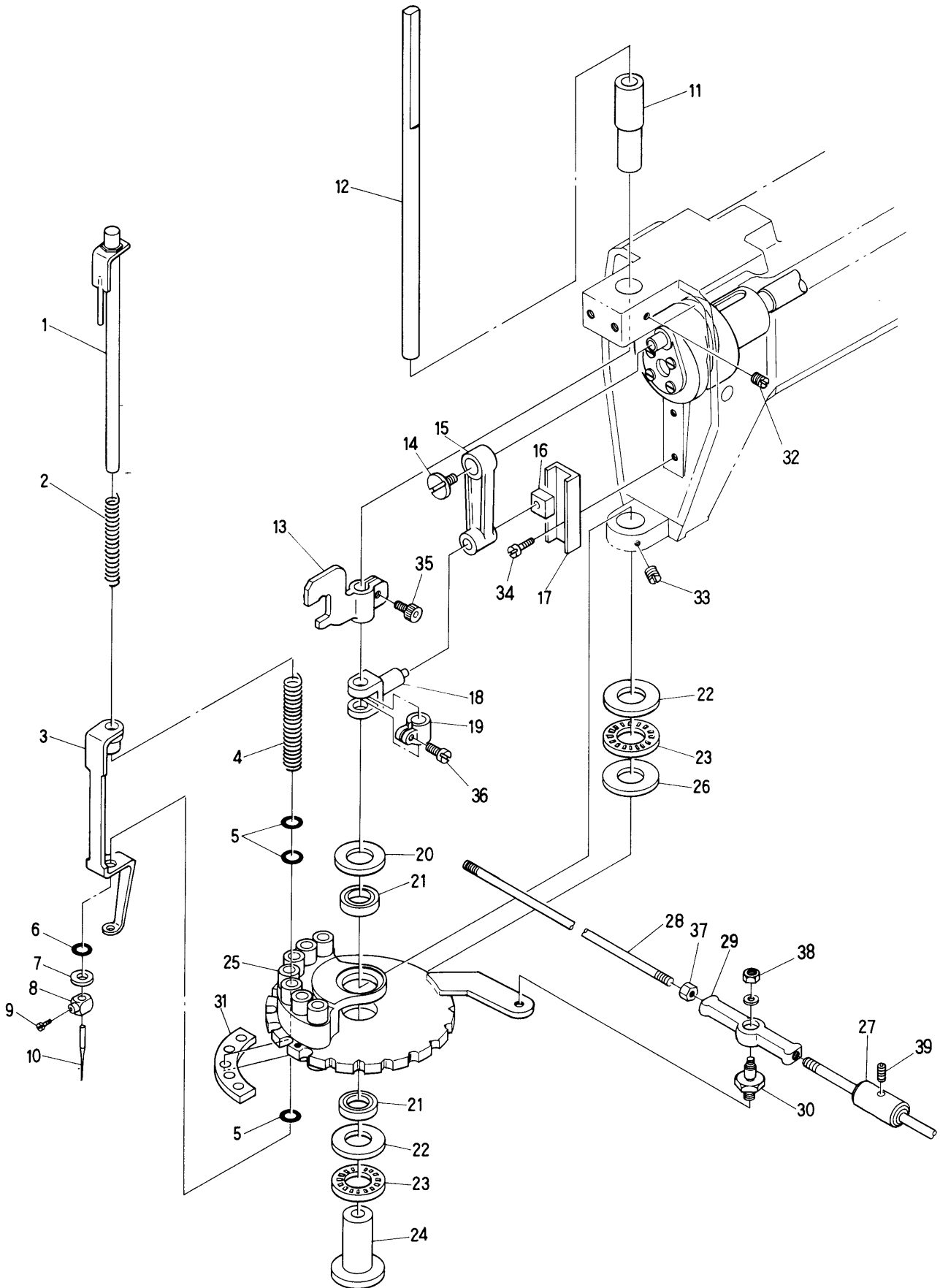
# ⑤ TAKE UP LEVER ASSY (5-NEEDLE)



## ⑤ TAKE UP LEVER ASSY (5-NEEDLE)

Item No.	Parts No.	Description	
1	3338F01	COLOR CHANGE GRIP	KF330381
2	2349T00	TAKE UP LEVER UF	MT230490
3	2368F00	ROLLER-STUD SET	KF230530
4	3341C	LOCK LEVER CONNECTING ROD	KC330410
5	2358F	CERAMIC THREAD GUIDE	KF230580
6	2351F	TAKE UP LEVER SHAFT	KF230510
7	911B2	NEEDLE CAGE	A9011112
8	2352T00	TAKE UP SPINDLE BUSH	MT230520
9	2355F	COLLAR	KF230550
10	2365F	LOCK LEVER BRACKET	KF230650
11	2363F	THREADED STUD	KF230630
12	2364F	LOCK BAR POSITIONING CLAMP	KF230640
13	2361G	LOCK LEVER	KG230610
14		SCREW	
15		SCREW	
16		NUT	
17		SCREW	
18		NUT	
19		NUT	
20		SCREW	
21		SCREW	
22		NUT	
23		SCREW	

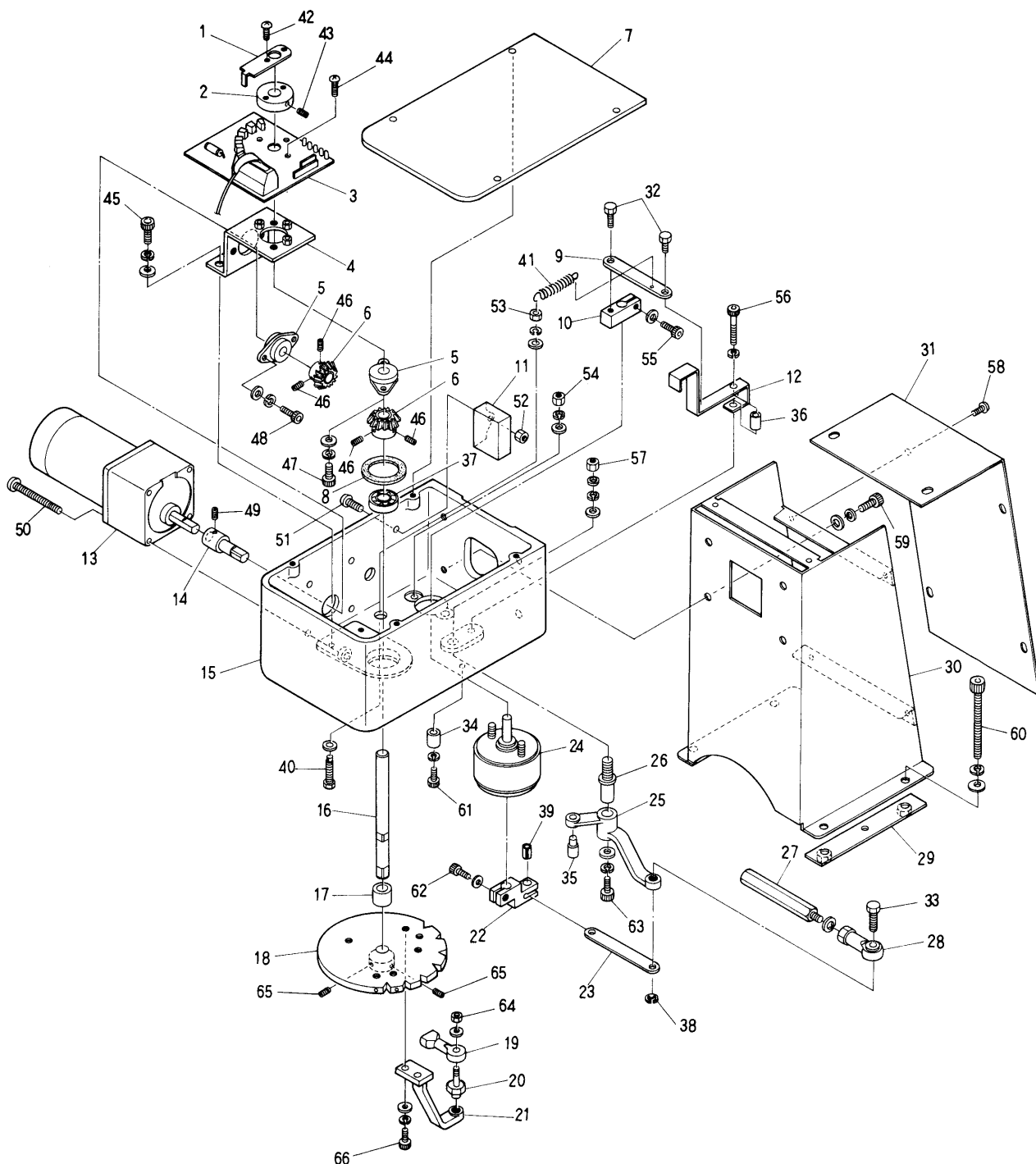
# ⑥ NEEDLE BAR ASSY (5-NEEDLE)



## ⑥ NEEDLE BAR ASSY (5-NEEDLE)

Item No.	Parts No.	Description	
1	2301F	NEEDLE BAR ASSY	KF230010
2	2318F	NEEDLE BAR SPRING (WIDE)	KF230180
3	2302F	PRESSER FOOT	KF230020
4	2321F	NEEDLE BAR SPRING (NARROW)	KF230210
5	2392F	NYLON WASHER (7MM DIA.)	KF230920
6	2391F	NYLON WASHER (6MM DIA.)	KF230910
7	2393F	WHITE WASHER (2MM)	KF230930
8	2323F	NEEDLE CLAMP	KF230230
9	2324F	NEEDLE CLAMP SCREW (SM9/64 40)	KF230240
10	2325F	NEEDLE	KF230250
11	2332F	UPPER BUSH	KF230320
12	2331F	NEEDLE BAR DRIVER SHAFT	KF230310
13	2334C	NEEDLE BAR DRIVER SHAFT	KC230340
14	2345F	SCREW FOR NEEDLE BAR CONNECTING LINK	KF230450
15	2346F	NEEDLE BAR CONNECTING LINK	KF230460
16	23D7900	SLIDER	HP231370
17	23D1P00	SLIDER GUIDE	HP231310
18	23C9P00	NEEDLE BAR DRIVING FORK	HP231290
19	2348F	NEEDLE SHAFT CLAMP	KF230480
20	2312F	THRUST RACE WASHER	KF230120
21	91009	BEARING A2015	A9010009
22	91123	THRUST RACE WASHER GS-1528	A9011023
23	91121	THRUST RACE WASHER NTB-1528	A9011021
24	2333F	BEARING SHAFT	KF230330
25	23G6N01	NEEDLE BAR TURRET PLATE	KN231660
26	91122	THRUST RACE WASHER AS-1528	A9011022
27	3338F01	COLOR CHANGE GRIP	KF330381
28	3331C	CONNECTING ROD	KC330310520
29	91205	PIVOT COUPLING (RD4 020N)	A9012005
	91201	PIVOT COUPLING (RD4 020R)	A9012001
	91203	PIVOT COUPLING (RD4 020R/L)	A9012003
30	2336F	PIVOT COUPLING STUD	KF230360
31	23G9N00	TURRET FELT	KN231690
32		SCREW	
33		SCREW	
34		SCREW	
35		SCREW	
36		SCREW	
37		NUT	
38		NUT	
39		SCREW	

# ⑦ COLOR CHANGE ASSY

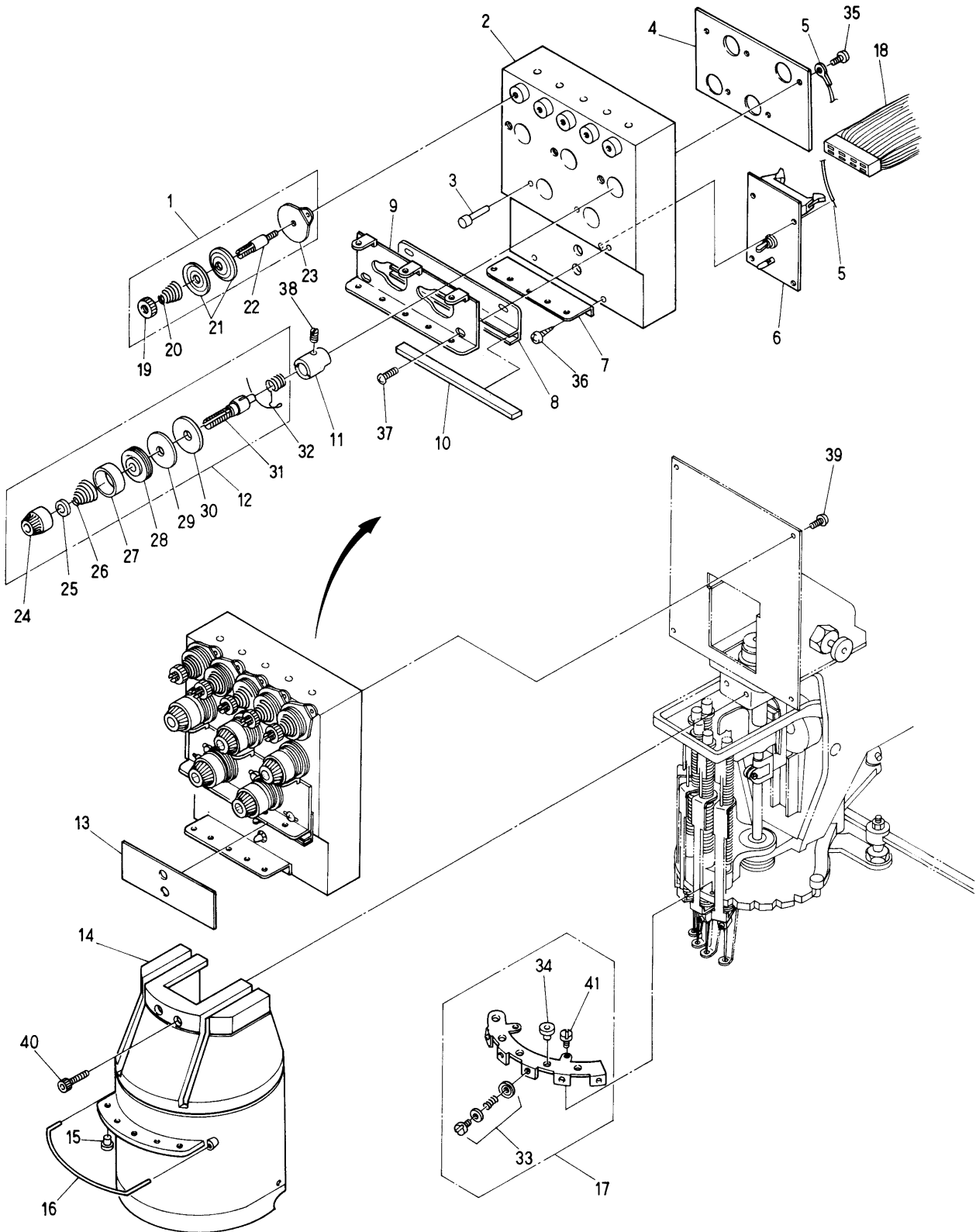




## ⑦ COLOR CHANGE ASSY

Item No.	Parts No.	Description				
1	3328H01	COLOR CHANGE CONFIRMATION LEVER				HH330281
2	3317C	COLLAR				KC330170
3	55T0100	SDU COLOR CHANGE BOARD (7020-4100)				EBN00660
4	33J1U00	COLOR CHANGE BOARD BASE				KU331910
5	91149	FYH OILESS PILLOW 80 (80FL-10)				A9011049
6	3362H	BEVEL GEAR				HH330630
7	33H4U00	COVER				KU331740
8	912F0	THRUST WASHER (TW1530)				A9012150
9	33J4P00	DRIVE PLATE				HP331940
10	33J6P00	DRIVE LEVER				HP331960
11		CONDENSER FOR 3381H				
12	33J3U00	LOCK CONFIRMATION LEVER				KU331930
13	3381H	GEARED MOTOR				HH330810
14	33F7P00	GEARED MOTOR SHAFT				HP331570
15	33J0U00	COLOR CHANGE BOX				KU331900
16	33F8P00	NEEDLE TURNING SHAFT				HP331580
17	33F9P00	POSITIONING COLLAR				HP331590
18	3315G	COLOR CHANGE PLATE				KG330150
19	91201	PIVOT COUPLING (RD4 020R)				A9012001
20	33G4P00	COLOR CHANGE LOCK DRIVE PLATE				HP331940
21	33F2P00	COLOR CHANGE PLATE LEVER				HP331520
22	33F5P00	LOCK SOLENOID LEVER				HP331550
23	33J4P00	COLOR CHANG LOCK DRIVE PLATE				HP331940
24	95611	ROTARY SOLENOID (6SR25-27X3, 4, 9)				A9056011
25	33F3P01	COLOR CHANGE LOCK LEVER				HP331531
26	2363F	THREADED STUD				KF230630
27	3351C	HEXAGONAL CONNECTING ROD				KC330510
28	91202	UNIBALL COUPLING (PR-6)				A9012002
29	33H3U00	PLATE FOR 30				KU331730
30	33H1U00	STAY FOR 15				KU331710
31	33H2U00	COVER FOR 30				KU331720
32	740F300	BOLT				HQ741F30
33	33F6P00	LOCK LEVER PIN				HP331560
34	3367H	ECCENTRIC STOPPER				HH330670
35	2362F	LOCK LEVER ROLLER				KF230620
36	33J5P00	ROLLER FOR 12				HP331950
37	91001	BEARING 6000ZZ				A9010001
38	91255	E SHAPE CLIP (4φ)				A9012055
39	912E3	CIRCULAR SPRING PIN (6φ L=12)				A9012143
40	33H5U00	SPRING PIN				KU331750
41	33H6U00	SPRING				KU331760
42		SCREW	51	SCREW	61	SCREW
43		SCREW	52	NUT	62	SCREW
44		SCREW	53	NUT	63	SCREW
45		SCREW	54	NUT	64	NUT
46		SCREW	55	SCREW	65	SCREW
47		SCREW	56	SCREW	66	SCREW
48		SCREW	57	NUT		
49		SCREW	58	SCREW		
50		SCREW	59	SCREW		
			60	SCREW		

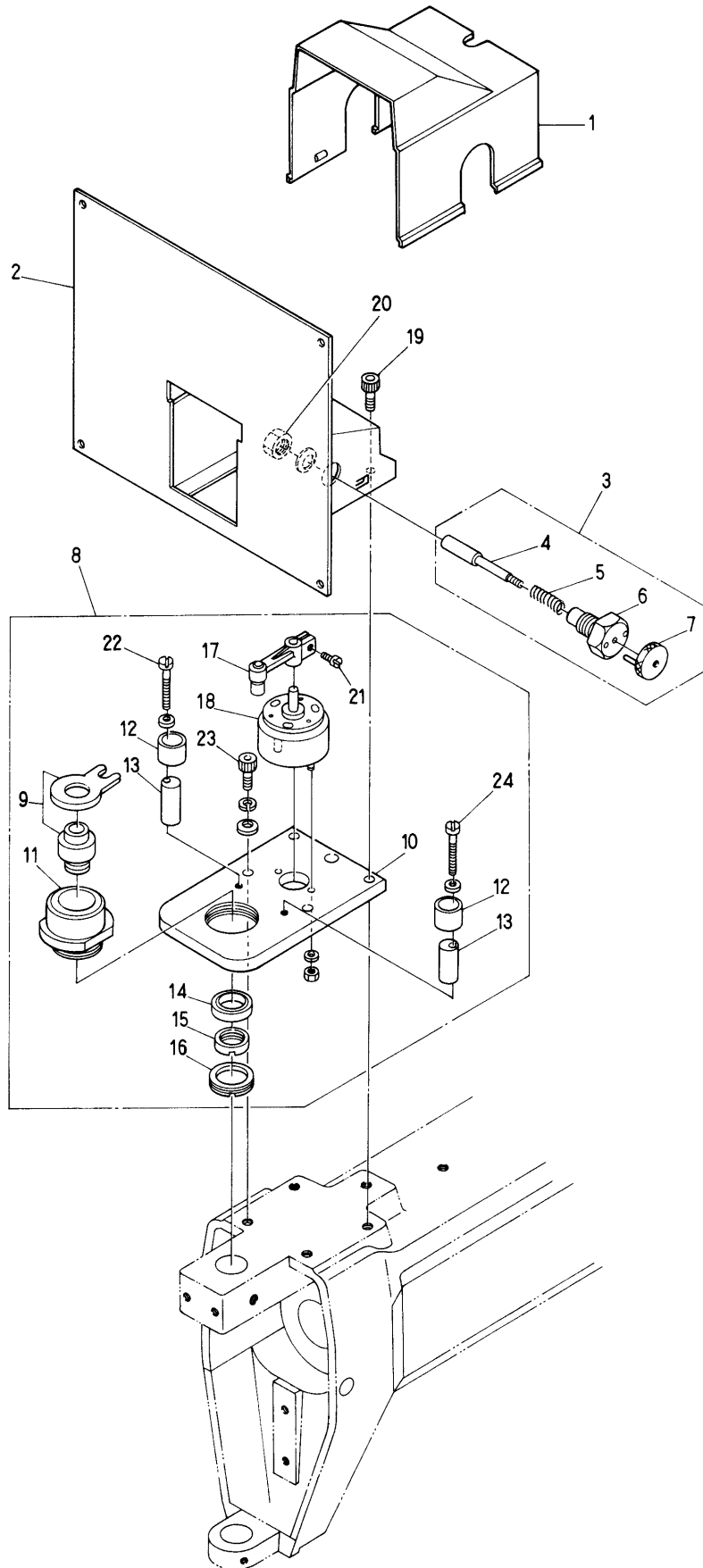
# ⑧ THREAD GUIDE ASSY (5-NEEDLE)



## ⑧ THREAD GUIDE ASSY (5-NEEDLE)

Item No.	Parts No.	Description	
1	24A2G	UPPER TENSION UNIT COMPLETE	KG241020
2	24B1P00	THREAD TENSION ASSEMBLY BRACKET	HP241110
3	24B6P00	STOP MOTION CONTACT	HP241160
4	24D7P01	GROUNDING PLATE	HP241371
5	24D9P00	GROUND CABLE	HP241390
6	55T0090	SDU THREAD BREAK BOARD (7020-4200)	EBN00650
7	24B9P00	THREAD GUIDE BAR (NO.2)	HP241190
8	24E5P00	THREAD GUIDE FELT PLATE	HP241450
9	24B7P00	THREAD GUIDE BAR (NO.1)	HP241170
10	24E7P00	THREAD GUIDE FELT	HP241470
11	24B5P00	TENSION SPRING HOLDER WITH SCREW	HP241150
12	24E1P00	LOWER TENSION UNIT ASSEMBLY	HP241410
13	24E0P00	LABEL	HP241400
14	2562P00	SEWING HEAD COVER	HP250620
15	2493F	CERAMIC GUIDE (LOWER)	KF240930
16	2558P01	THREAD GUIDE WIRE	HP250581
17	2505P00	THREAD END TRAP UNIT ASSEMBLY	HP250050
18	5141U00	FLAT CABLE AT-706 (S-2500X1100X6)	KU510410
19	2471F	ADJUSTING NUT	KF240710
20	2436H	THREAD TENSION SPRING	HH240360
21	2425G01	THREAD TENSION DISC	KG240251
22	2416F	THREAD TENSION POST UPPER	KF240160
23	2422G	TENSION DISC INSULATOR	KG240220
24	2470F	PLASTIC TENSION ADJUSTOR	KF240700
25	2478F	WASHER	KF240780
26	2436H	THREAD TENSION SPRING	HH240360
27	2476F	THREAD TENSION COVER	KF240760
28	2428F	ROTARY TENSION DISC	KF240280
29	2474F	TENSION FELT	KF240740
30	2475F	TENSION DISC PLASTIC INSULATOR	KF240750
31	2417F	THREAD TENSION POST	KF240170
32	2482N00	CHECH SPRING	KN240820
33	2520F	INDIVIDUAL THREAD END TRAP COMPLETE	KF250200
34	2491F	THREAD GUIDE (CERAMIC) 8φ	KF240910
35		SCREW	
36		SCREW	
37		SCREW	
38		SCREW	
39		SCREW	
40		SCREW	
41		SCREW	

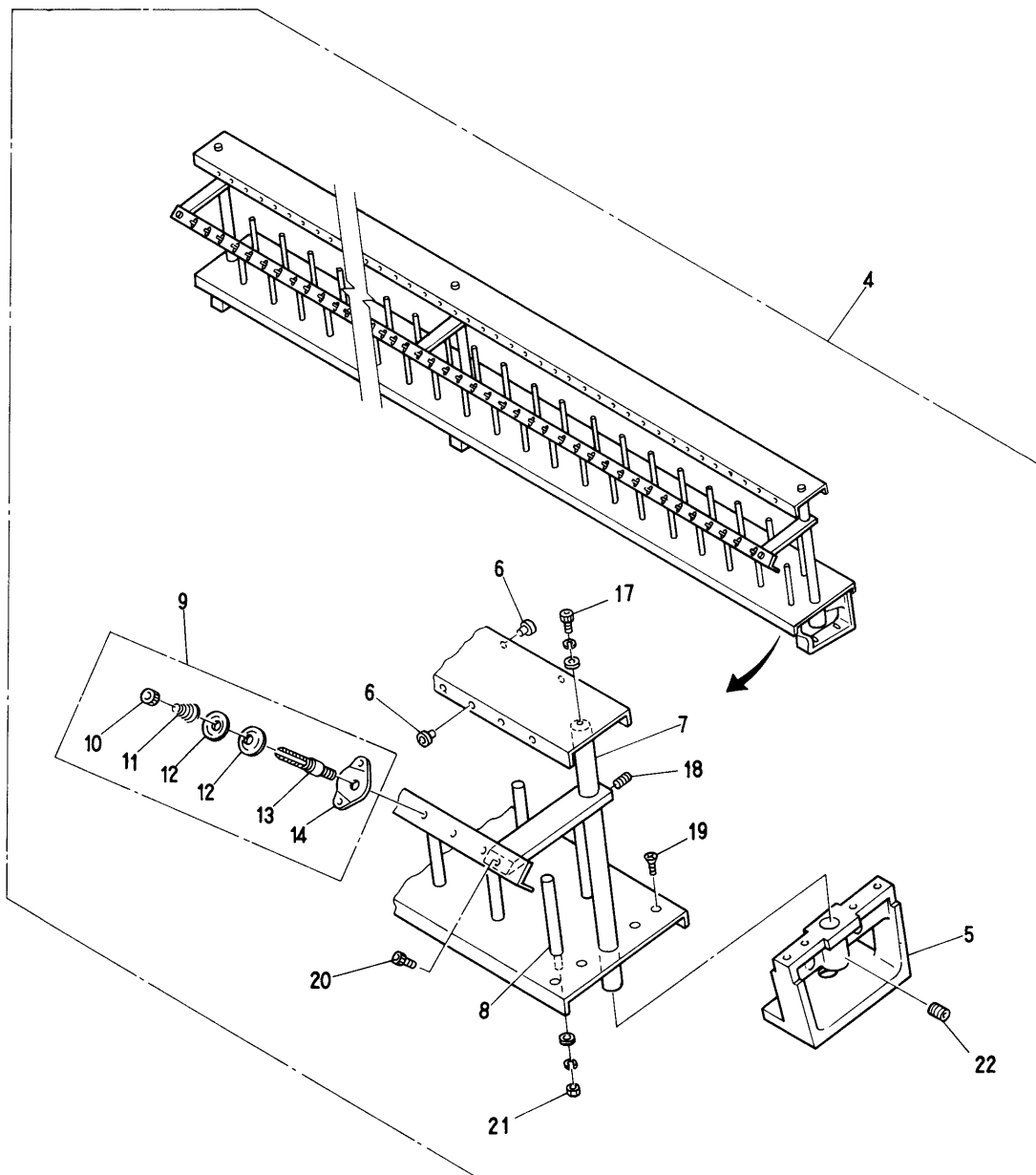
# ⑨ JUMP STITCH ASSY



## ⑨ JUMP STITCH ASSY

Item No.	Parts No.	Description	
1	24C1P00	FLAT CABLE COVER	HP241210
2	24B3P00	THREAD TENSION BRACKET (UF)	HP241130
	24B4P00	THREAD TENSION BRACKET (UG)	HP241140
3	2403F	HEAD ISOLATOR ASSEMBLY	KF240030
4	2453F	PIN FOR 3	KF240530
5	2456F	SPRING	KF240560
6	2455F	BOLT	KF240550
7	2452F	CLUTCH RELEASE PIN	KF240520
8	2419P00	JUMP STITCK MECHANISM COMPLETE	HP240190
9	2420F00	ACUTUATING LEVER AND BUSH	KF240200
10	23D3P00	SOLENOID BRACKET BASE	KF240440
11	2445F	GUIDE BUSH	KF240450
12	2449F	NYLON STOPPER	KF240490
13	2448F	ECCENTRIC STOPPER	KF240480
14	91009	BALL RACE A2015	A9010009
15	2447F	ROUND NUT (SMALL)	KF240470
16	2446F	ROUND NUT (BIG)	KF240460
17	2442F	LEVER	KF240420
18	2461F	ROTARY SOLENOID (3ER25-35)	KF240610
19		SCREW	
20		NUT	
21		SCREW	
22		SCREW	
23		SCREW	
24		SCREW	

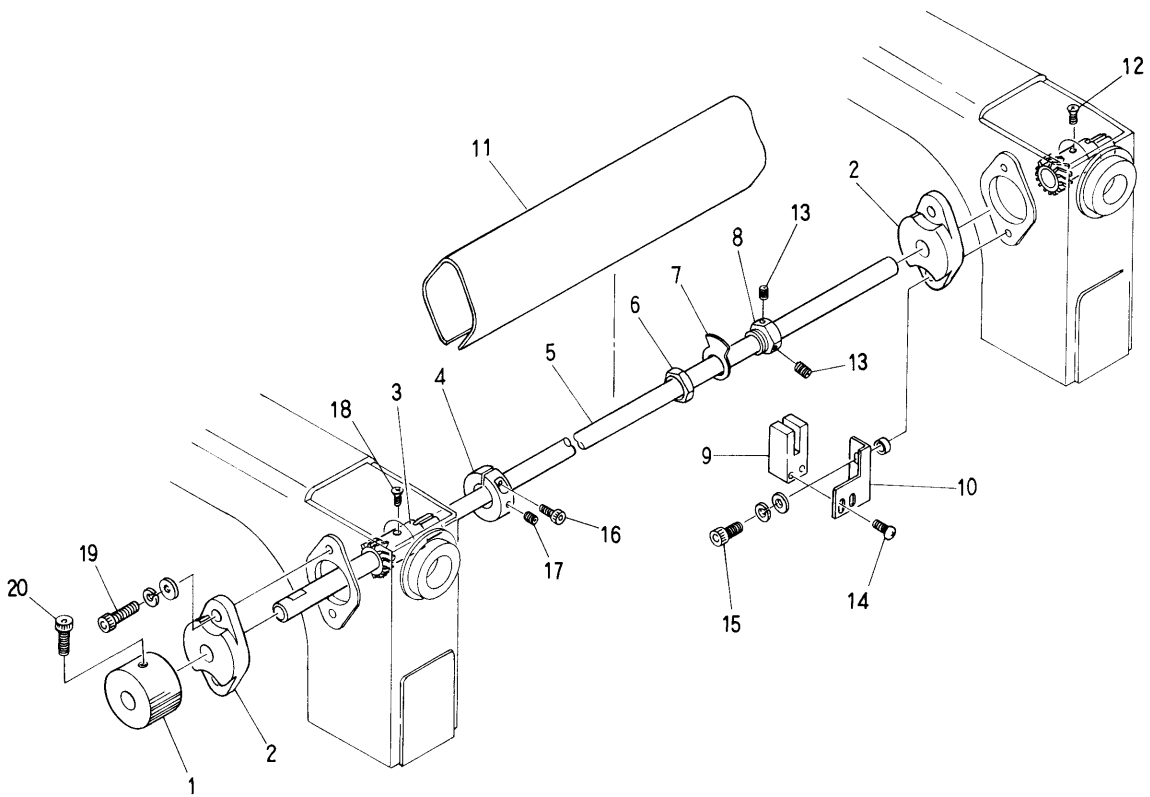
# ⑩ THREAD STAND (702)



## ⑩ THREAD STAND (702)

Item No.	Parts No.	Description
4	71B7U00	THREAD STAND ASSY (702)
5	7179P00	THREAD STAND BASE
6	2490F00	THREAD GUIDE CERAMIC
7	7126HJ	THREAD STAND PILLAR
8	7128F	THREAD CONE PIN
9	24A3G01	THREAD TENSION UNIT ASSY
10	2471F	ADJUSTING NUT UPPER AND LOWER
11	2436H	THREAD TENSION SPRING
12	2425G01	TENSION DISC
13	2416F	THREAD TENSION POST (UPPER)
14	2421G01	BACKING PLATE
17		SCREW
18		SCREW
19		SCREW
20		SCREW
21		NUT
22		SCREW

# ⑪ DRIVE SHAFT ASSY

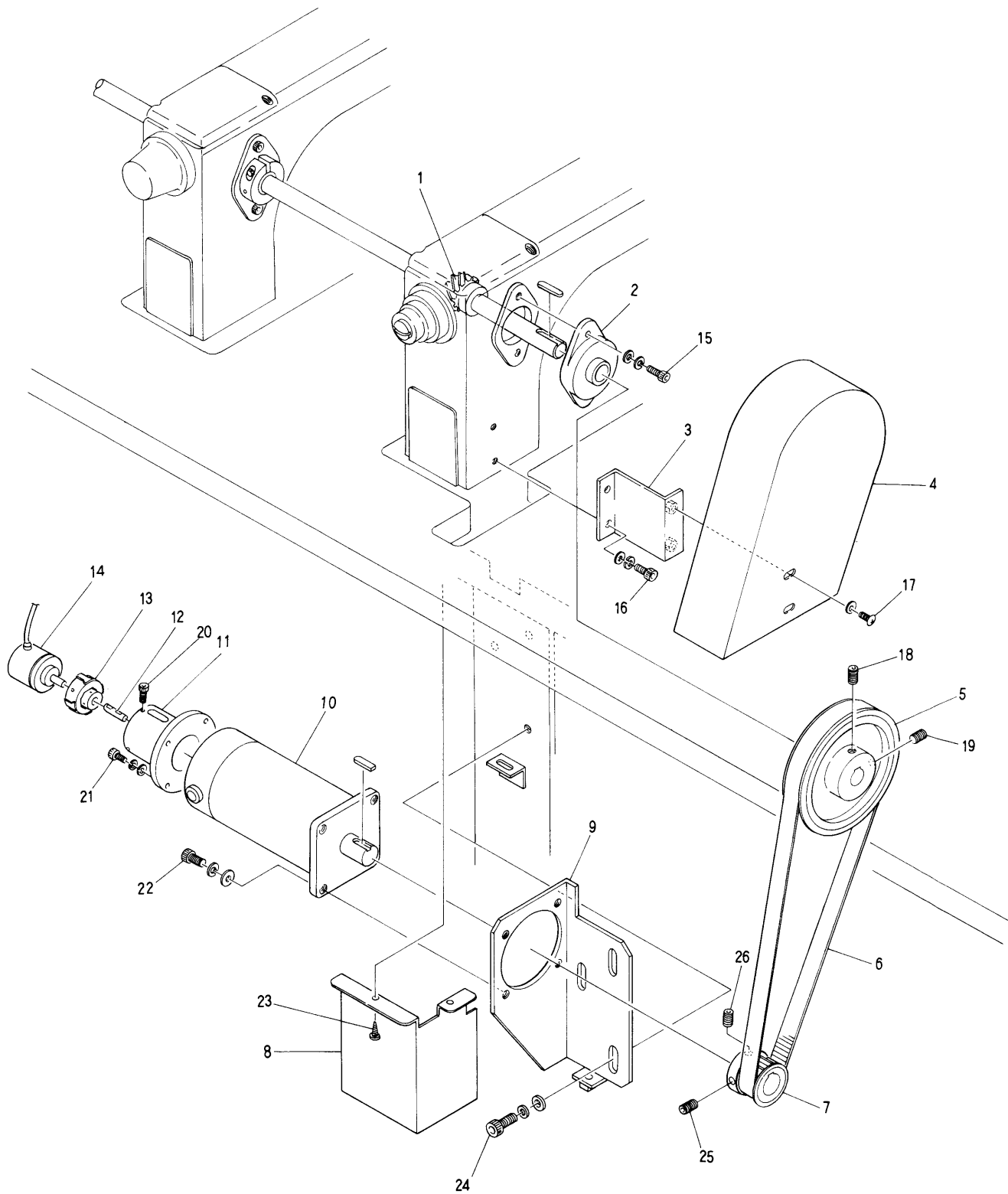




## ⑪ DRIVE SHAFT ASSY

Item No.	Parts No.	Descrion	
1	3259C	HAND GRIP	KC320590
2	3204F	FLANGE	KF320040
3	3251F	HELICAL GEAR	KF320510
4	3252F	HELICAL GEAR CLAMP	KF320520
5	31R7U01	DRIVE SHAFT (704/706)	KU312771
	31R6U00	DRIVE SHAFT (702)	KU312760
6	5418F	HEXAGONAL NUT FOR 7	KF540180
7	5416U00	PROXIMITY SWITCH PROBE	KU540160
8	5417F	HEXAGONAL NUT FOR 7	KF540170
9	5435F	PROXIMITY SWITCH (TLPP-24)	KF540350
10	3116U00	BRACKET FOR 9	KU310160
11	3231C	SHAFT COVER	KC320310520
12		SCREW	
13		SCREW	
14		SCREW	
15		SCREW	
16		SCREW	
17		SCREW	
18		SCREW	
19		SCREW	
20		SCREW	

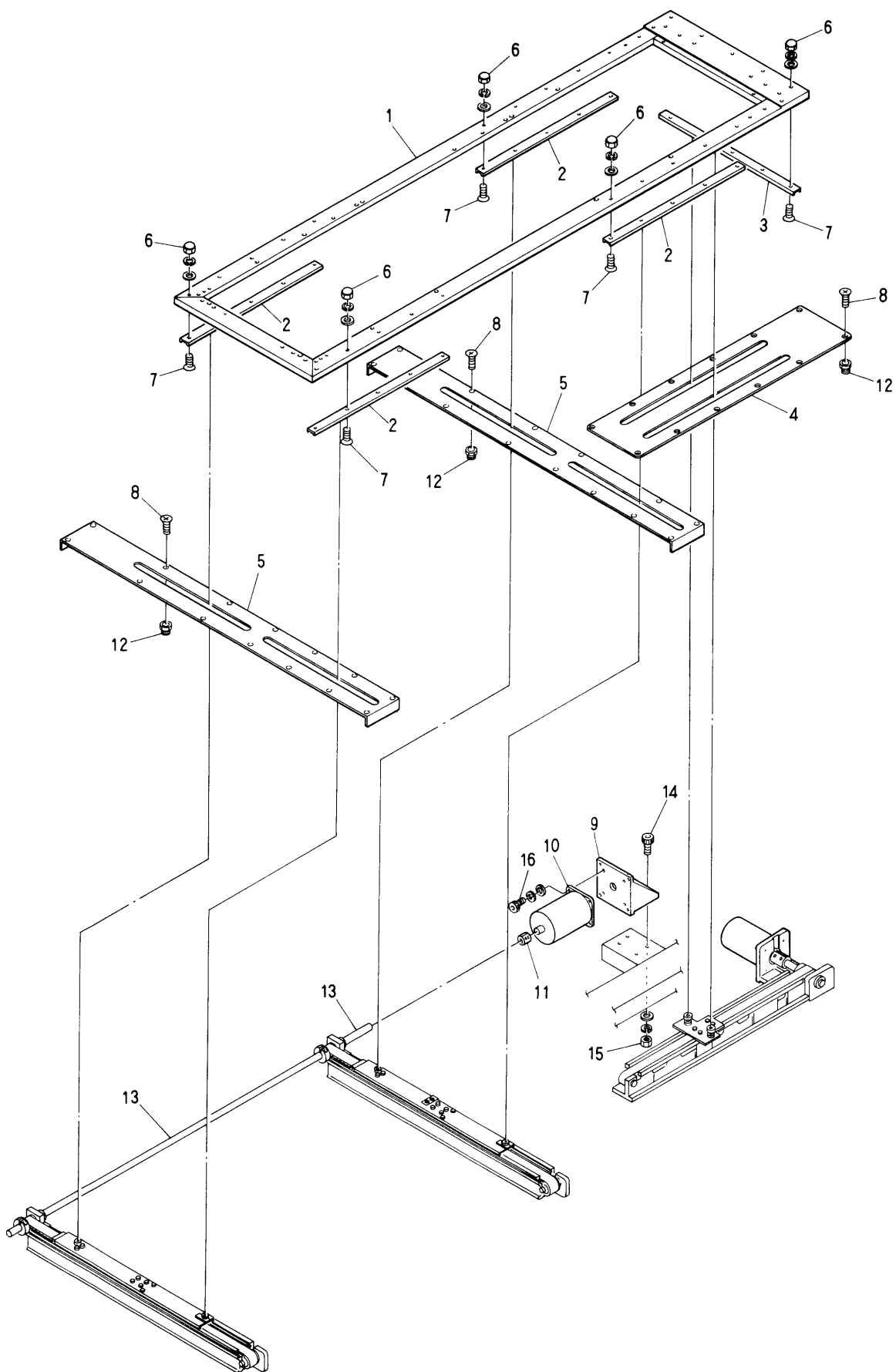
# ⑫ DRIVE MOTOR ASSY (702)



## ⑫ DRIVE MOTOR ASSY (702)

Item No.	Parts No.	Description	
1	3253F	HELICAL GEAR	KF320530
2	91142	FLANGE (BLF 202)	A9011042
3	31R5U00	BELT COVER BRACKET	KU312750
4	31R4U00	BELT COVER	KU312740
5	31R3U00	PULLEY (P78-5M2-20-6F)	KU312730
6	920A6	TIMING BELT (870-5M2-20) (75174)	A9020106
7	31R2U00	MOTOR PULLEY (P26-5M2-20-6F)	KU312720
8	3115U00	PULLEY COVER	KU310150
9	3106U01	MOTOR BASE (702)	KU310061
10	3113T00	DC MOTOR (DTM-5270C)	MT310130
11	31DET00	CODER COUPLING	MT314420
12	31DDT00	POSITION CODER COLLAR	MT314410
13	5124C	POSITION CODER SHAFT	KC510240
14	5121T00	POSITION CODER (LBJ-007-600)	MT510210
15		SCREW	
16		SCREW	
17		SCREW	
18		SCREW	
19		SCREW	
20		SCREW	
21		SCREW	
22		SCREW	
23		SCREW	
24		SCREW	
25		SCREW	
26		SCREW	

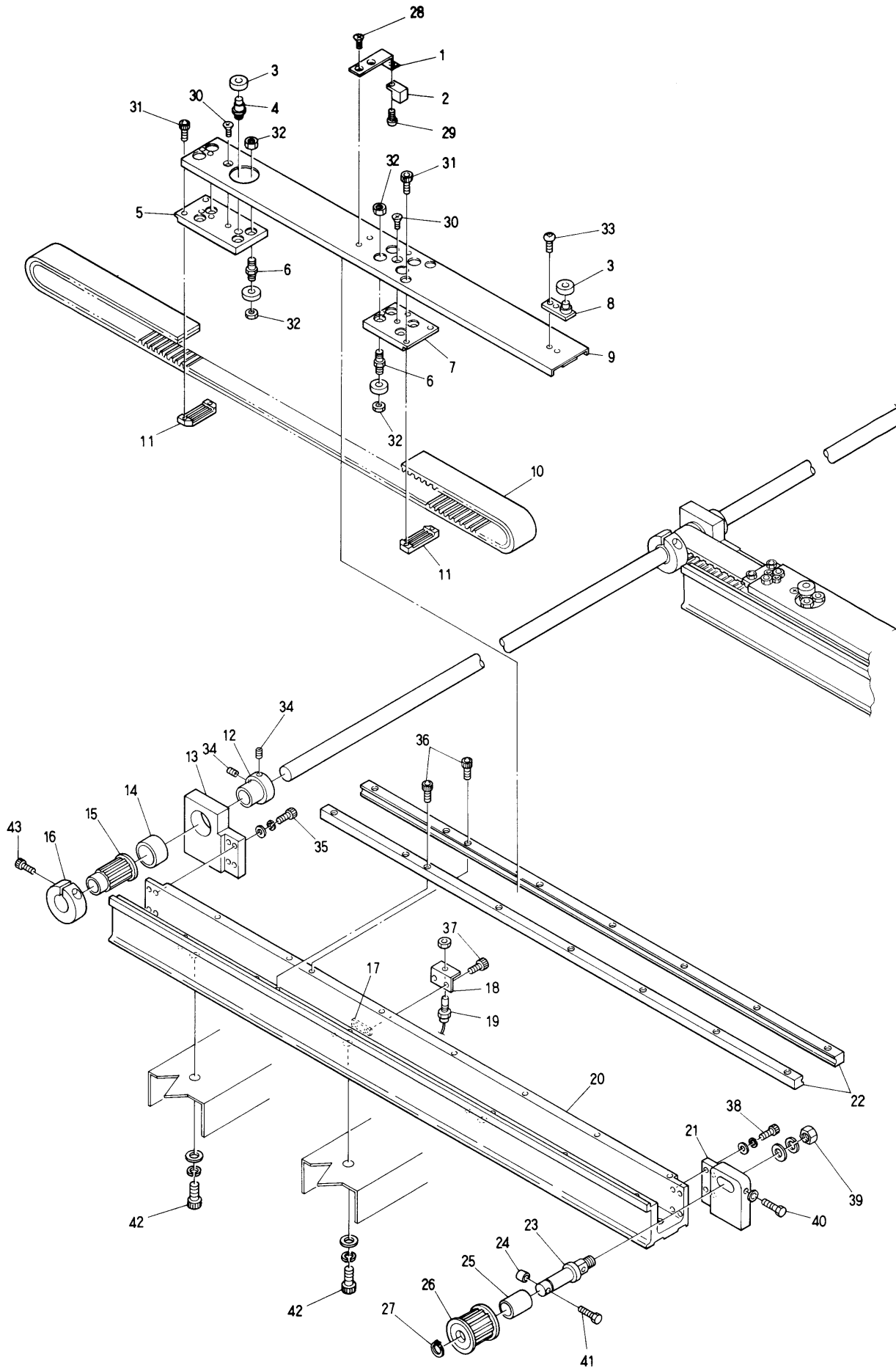
# ⑬-REV PANTOGRAPH DRIVE ASSY I (702)



## ⑬-REV PANTOGRAPH DRIVE ASSY I (702)

Item No.	Parts No.	Description	
1	4651U00	PANTOGRAPH ASSY	KU460510
2	4842N00	RAIL (920L)	KN480420
3	4835C	RAIL (470L)	KC480350
4	48A5U00	V RAIL COVER (480)	KU481050
5	4815C	H RAIL COVER	KC480150
6		NUT	
7		SCREW	
8		SCREW	
9	4715U00	H PULSE MOTOR BRACKET	KU470150
10	4711T00	PULSE MOTOR (103-845-1111)	MT470110
11	48J3H01	PULSE MOTOR COUPLING	HH481931
12		NUT	
13	4970U00	H PULSE MOTOR CONNECTING SHAFT	KU490700
14		SCREW	
15		NUT	
16		SCREW	

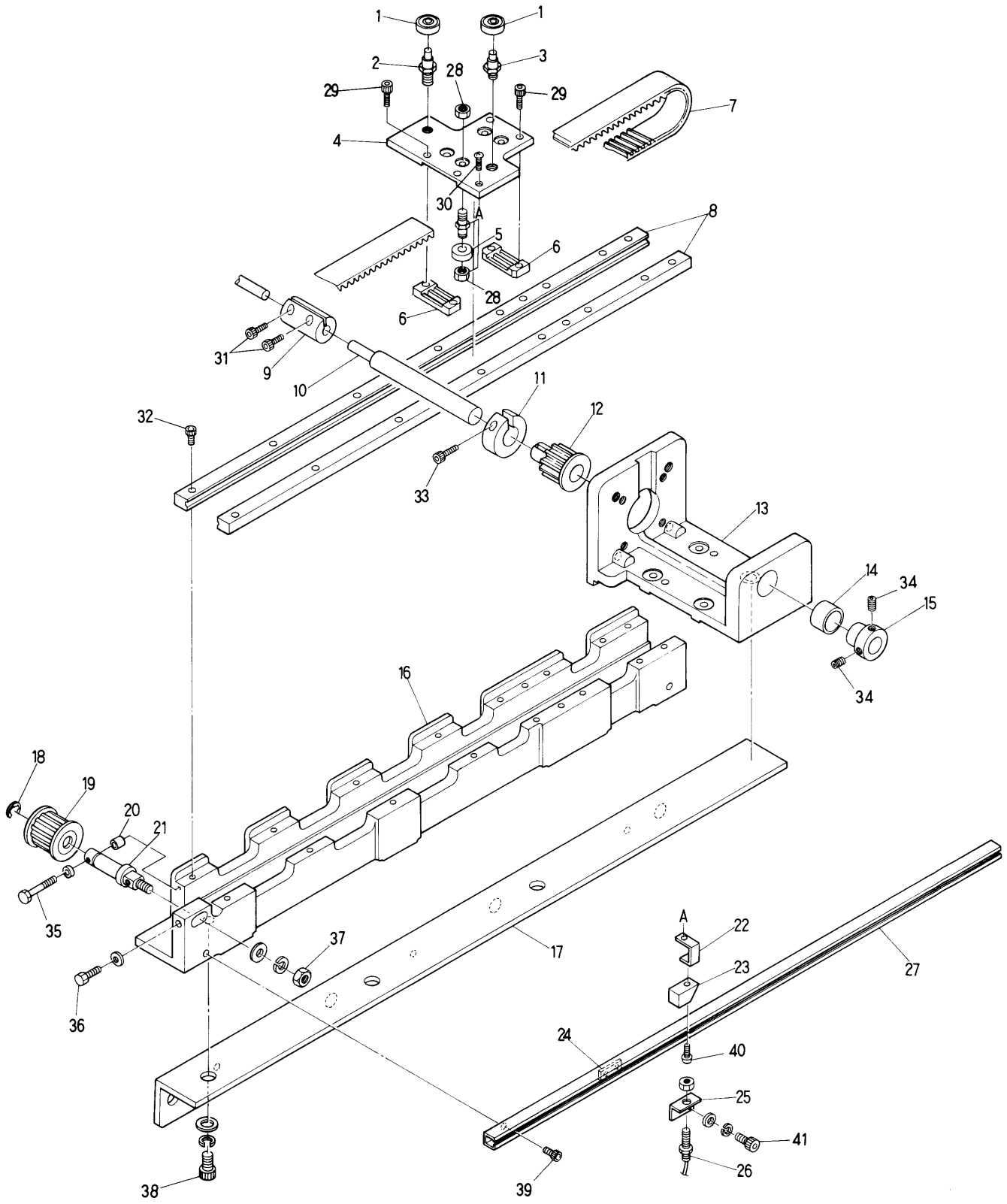
# ⑭-REV PANTOGRAPH DRIVE ASSY II (H)



# ⑭-REV PANTOGRAPH DRIVE ASSY II (H)

Item No.	Parts No.	Description	
1	4634U02	H FRAME LIMIT BRACKET	KU460342
2	95226	MAGNET M-102	A9052026
3	91006	BEARING (625ZZ)	A9010006
4	48S3P00	BEARING PIN	HP482830
5	48S7N00	H ROLLER BASE (REAR)	KN482870
6	48T5P00	ROLLER PIN SET A	HP482950
7	43S8N00	H ROLLER BASE (FRONT)	KN482880
8	48S3P01	BEARING PIN	HP482831
9	48Y4U00	H MEMBER CONNECTING CHANNEL	KU483440
10	92098	TIMING BELT 300S5M2000	A9020098
11	48T4P00	TIMING BELT SUPPORT RACK	HP482940
12	48J7H	PULSE MOTOR SHAFT COLLAR	HH481970
13	48K1N00	H GUIDE RAIL PULLEY BRACKET	KN482010
14	91163	NEEDLE BEARING TLA 2016	A9011063
15	48T9P00	PANTOGRAPH DRIVE PULLEY	HP482990
16	48J8H	CLAMP 19	HH481980
17	4627U00	NUT M3	KU460270
18	4624T00	RS-001 BRACKET (V)	MT460240
19	95224	FRAME LIMIT SWITCH RS-001	A9052024
20	48Y0N00	H GUIDE RAIL BASE	KN483400
21	48K0N00	H GUIDE RAIL PULLEY BRACKET	KN482000
22	48Y5N00	RAIL (L=660)(V) PULLEY SHAFT	KN483450
23	48J9H01	PULLEY SHAFT	HH481991
24	48L1H	BOLT CAP	HH482110
25	91179	NEEDLE BEARING TA-1225	A9011079
26	48T8P00	PANTOGRAPH PULLEY	HP482980
27	91252	E-SHAPE CLIP	A9012052
28		SCREW	
29		SCREW	
30		SCREW	
31		SCREW	
32		NUT	
33		SCREW	
34		SCREW	
35		SCREW	
36		SCREW	
37		SCREW	
38		SCREW	
39		NUT	
40		SCREW	
41		SCREW	
42		SCREW	

# ⑮ PANTOGRAPH DRIVE ASSY III (V)

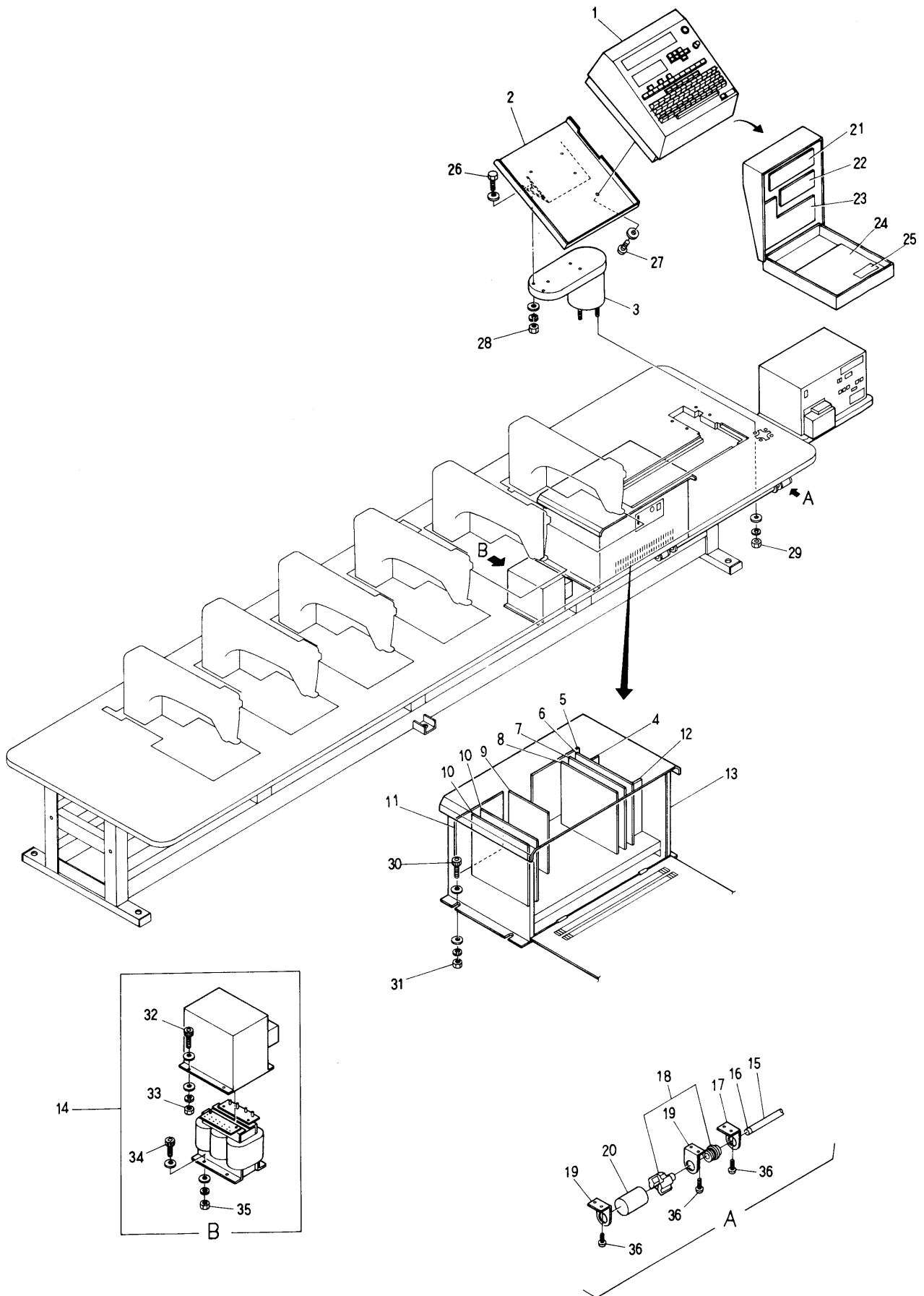




# ⑮ PANTOGRAPH DRIVE ASSY III (V)

No.	Parts No.	Description	
1	91006	BEARING 625ZZ	A9010006
2	48V1P00	BEARING PIN B	HP483110
3	48S8U00	BEARING PIN	HP482830
4	48V8U00	V ROLLER BASE (5M-30)	KU483180
5	48T5P00	ROLLER PIN	HP482950
6	48T4P00	TIMING BELT RACK (5M)	HP482940
7	92098	TIMING BELT 300S5M2000	A9020098
8	48T1P00	GUIDE RAIL (L=1060)	HP482910
9	48J3H01	PULSE MOTOR COUPLING (704, 706)	HH481931
	4717A	PULSE MOTOR COUPLING (702)	MA470170
10	4918U00	V TIMING BELT SHAFT (704, 706, 708)	KU490180
	4917U0K	V TIMING BELT SHAFT (702)	KU490170
11	48J8H	CLAMPING COLLAR	HH481980
12	48T9P00	TIMING BELT PULLEY (REAR) S5M	HP482990
13	4710U00	V PULSE MOTOR BRACKET	KU470100
14	91163	BEARING TLA 2016	A9011063
15	48J7H	PULSE MOTOR CONNECTING SHAFT COLLAR	HH481970
16	4813U00	V GUIDE RAIL BASE	KU480130
17	4740U00	V GUIDE RAIL BASE BRACKET (520)	KU470400
	4746U00	V GUIDE RAIL BASE BRACKET (480)	KU470460
18	91252	E SHAP CLIP (10φ)	A9012052
19	48T8P00	TIMING BELT PULLEY (FRONT) S5M	HP482980
20	48L1H	PULLEY SHAFT BOLT CAP	HH482110
21	48J9H01	TIMING PULLEY SHAFT	HH481991
22	4632U00	V FRAME LIMIT BRACKET	KU460320
23	95226	MAGNET M-102	A9052026
24	4627T00	NUT	MT460270
25	4624T00	FRAME LIMIT BRACKET (V)	MT460240
26	95224	FRAME LIMIT SWITCH RS-001	A9052024
27	4636U0K	V FRAME LIMIT RAIL	KU460360
28		NUT	
29		SCREW	
30		SCREW	
31		SCREW	
32		SCREW	
33		SCREW	
34		SCREW	
35		SCREW	
36		SCREW	
37		NUT	
38		SCREW	
39		SCREW	
40		SCREW	
41		SCREW	

# ①⑥ ELECTRONIC CONTROL



# ⑩ ELECTRONIC CONTROL

Item No.	Parts No.	Description	
1	51H3UUAU	SMT CONTROLLER	EAN016A1
2	51C7T00	SMT CONTROLLER MOUNT BASE	MT511270
3	51C1U00	SMT CONTROLLER STAND	KU511210
4	55T0030	7020-2600 SDU MEMORY BOARD	EBN00590
5	55T0020	7020-2300 SDU CONTROL MOTHER BOARD	EBN00580
6	55T0040	7020-2500 SDU MEMORY MOTHER BOARD	EBN00600
7	55T0060	7020-2200 SDU POWER BOARD	EBN00630
8	55T0070	7020-2100 SDU CONTROL BOARD	EBN00620
9	55T0010	7020-2900 SDU POWER AMP DRIVER BOARD	EBN00570
10	55T0080	7020-2800 SDU STEPPING DRIVER BOARD	EBN00640
11	55T0000	7020-2700 SDU DRIVE MOTHER BOARD	EBN00560
12	55T0050	7020-2400 SDU SYSTEM MEMORY BOARD (W/O ROM)	EBN00610
13	51H4UUAU	SDU DRIVER UNIT	EAN016A2
14	51J6UUAU	TRANSFORMER 1P (706)	EAN021A3
	51J7UUAU	TRANSFORMER 3P (706)	EAN022A3
	51J5UUAU	TRANSFORMER 1P (704)	EAN020A3
	51H9UUAU	TRANSFORMER 1P (702)	EAN019A3
15	5316F	BAR SWITCH	KF530160
16	5317F	BAR SWITCH END CAP	KF530170
17	5319F	BRACKET STOP/START BAR SWITCH	KF530190
18	5311F	STOP SWITCH MS320 (RED)	KF530110
	5312F	STOP SWITCH MS319 (GREEN)	KF530120
19	5318F	BRACKET STOP/START BAR SWITCH	KF530180
20	5315F	STOP SWITCH CASING	KF530150
21	55T0110	STX DISPLAY TUBE (7020-7600)	EBN00670
22	55T0120	SMT DISPLAY TUBE (7020-7500)	EBN00680
23	55T0130	7020-7300 SMT KEYBOARD	EBN00690
24	55T0140	7020-7200 SMT CONTROL BOARD	EBN00700
25	55T0150	7020-7210 SMT PSU BOARD	EBN00710
26		SCREW	
27		SCREW	
28		NUT	
29		NUT	
30		SCREW	
31		NUT	
32		SCREW	
33		NUT	
34		SCREW	
35		NUT	
36		SCREW	



INDEX - 1 - (702)

Part No.		Page	Item No.	Part No.		Page	Item No.
1266G02	KG120662	2	2	2245F	KF220450	4	13
1280U00	KU120800	2	13	2246F	KF220460	4	14
1284C	KC120840	2	14	2247F	KF220470	4	18
1284U00	KU120840	2	15	2248F	KF220480	3	2
1438A	MA140380	2	3	2251A	MA220510	3	9
1453A	MA140530	2	16	2255F	KF220550	3	10
1455U00	KU140550	2	15	23C9P00	HP231290	6	18
1458A	MA140580	2	18	23D1P00	HP231310	6	17
1467A	MA140670	2	3	23D3P00	KF240440	9	10
1468A	MA140680	2	4	23D7P00	HP231370	6	16
1469A	MA140690	2	4	23G6N01	KN231660	6	25
1474A	MA140740	2	10	23G9N00	KN231690	6	31
1475A	MA140750	2	11	2301F	KF230010	6	1
1476A	MA140760	2	7	2302F	KF230020	6	3
1478A	MA140780	2	8	2312F	KF230120	6	20
1496A00	MA140960	2	12	2318F	KF230180	6	2
15G2U01	KU151621	2	1	2321F	KF230210	6	4
15H2U00	KU151720	2	6	2323F	KF230230	6	8
16G0U01	KU161601	2	5	2324F	KF230240	6	9
2180U00	KU210800	3	1	2325F	KF230250	6	10
2181U00	KU210810	3	1	2331F	KF230310	6	12
2182U00	KU210820	3	1	2332F	KF230320	6	11
2183U00	KU210830	3	1	2333F	KF230330	6	24
2211F	KF220110	4	6	2334C	KC230340	6	13
2212F	KF220120	4	9	2336F	KF230360	6	30
2213F	KF220130	4	10	2341N00	KN230410	4	1
2214F	KF220140	4	5	2342F	KF230420	4	2
2215F	KF220150	4	11	2343N00	KN230430	4	3
2216F	KF220160	4	7	2345F	KF230450	6	14
2218F	KF220180	4	8	2346F	KF230460	6	15
2219F	KF220190	4	12	2348F	KF230480	6	19
2221C	KC220210	3	5	2349T00	MT230490	5	2
2222F	KF220220	3	3	2351F	KF230510	5	6
2223F	KF220230	3	7	2352T00	MT230520	5	8
2223F	KF220230	4	17	2355F	KF230550	5	9
2224F	KF220240	4	15	2358F	KF230580	5	5
2225F	KF220250	4	16	2361G	KG230610	5	13
2227F	KF220270	4	19	2362F	KF230620	7	35
2229F	KF220290	3	4	2363F	KF230630	5	11
2231F	KF220310	3	12	2363F	KF230630	7	26

INDEX - 2 - (702)

Part No.		Page	Item No.	Part No.		Page	Item No.
2364F	KF230640	5	12	2448F	KF240480	9	13
2365F	KF230650	5	10	2449F	KF240490	9	12
2368F00	KF230530	5	3	2452F	KF240520	9	7
2391F	KF230910	6	6	2453F	KF240530	9	4
2392F	KF230920	6	5	2455F	KF240550	9	6
2393F	KF230930	6	7	2456F	KF240560	9	5
24A2G	KG241020	8	1	2461F	KF240610	9	18
24A3G01	KG241031	10	9	2470F	KF240700	8	24
24B1P00	HP241110	8	2	2471F	KF240710	8	19
24B3P00	HP241130	9	2	2471F	KF240710	10	10
24B4P00	HP241140	9	2	2474F	KF240740	8	29
24B5P00	HP241150	8	11	2475F	KF240750	8	30
24B6P00	HP241160	8	3	2476F	KF240760	8	27
24B7P00	HP241170	8	9	2478F	KF240780	8	25
24B9P00	HP241190	8	7	2482N00	KN240820	8	32
24C1P00	HP241210	9	1	2490F00	KF240900	10	6
24D7P01	HP241371	8	4	2491F	KF240910	8	34
24D9P00	HP241390	8	5	2493F	KF240930	8	15
24E0P00	HP241400	8	13	2505P00	HP250050	8	17
24E1P00	HP241410	8	12	2513A01	MA250131	3	8
24E5P00	HP241450	8	8	2520F	KF250200	8	33
24E7P00	HP241470	8	10	2547C01	KC250471	3	13
2403F	KF240030	9	3	2548C01	KC250481	3	11
2416F	KF240160	8	22	2558P01	HP250581	8	16
2416F	KF240160	10	13	2562P00	HP250620	8	14
2417F	KF240170	8	31	31DDT00	MT314410	12	12
2419P00	HP240190	9	8	31DET00	MT314420	12	11
2420F00	KF240200	9	9	31R2U00	KU312720	12	7
2421G01	KG240211	10	14	31R3U00	KU312730	12	5
2422G	KG240220	8	23	31R4U00	KU312740	12	4
2425G01	KG240251	8	21	31R5U00	KU312750	12	3
2425G01	KG240251	10	12	31R6U00	KU312760	11	5
2428F	KF240280	8	28	3106U01	KU310061	12	9
2436H	HH240360	8	20	3108U01	KU310081	12	9
2436H	HH240360	8	26	3113T00	MT310130	12	10
2436H	HH240360	10	11	3115U00	KU310150	12	8
2442F	KF240420	9	17	3116U00	KU310160	11	10
2445F	KF240450	9	11	3204F	KF320040	11	2
2446F	KF240460	9	16	3231C	KC320310520	11	11
2447F	KF240470	9	15	3251F	KF320510	11	3

INDEX - 3 - (702)

Part No.		Page	Item No.	Part No.		Page	Item No.
3 2 5 2 F	KF320520	11	4	4 6 3 4 U 0 2	KU460342	14	1
3 2 5 3 F	KF320530	12	1	4 6 5 1 U 0 0	KU460510	13	1
3 2 5 9 C	KC320590	11	1	4 7 1 0 U 0 0	KU470100	15	13
3 3 F 2 P 0 0	HP331520	7	21	4 7 1 1 T 0 0	MT470110	13	10
3 3 F 3 P 0 1	HP331531	7	25	4 7 1 5 U 0 0	KU470150	13	9
3 3 F 5 P 0 0	HP331550	7	22	4 7 4 0 U 0 0	KU470400	15	17
3 3 F 6 P 0 0	HP331560	7	33	4 7 4 6 U 0 0	KU470460	15	17
3 3 F 7 P 0 0	HP331570	7	14	4 8 A 5 U 0 0	KU481050	13	4
3 3 F 8 P 0 0	HP331580	7	16	4 8 J 3 H 0 1	HH481931	13	11
3 3 F 9 P 0 0	HP331590	7	17	4 8 J 3 H 0 1	HH481931	15	9
3 3 G 6 P 0 0	HP331660	7	20	4 8 J 7 H	HH481970	14	12
3 3 H 1 U 0 0	KU331710	7	30	4 8 J 7 H	HH481970	15	15
3 3 H 2 U 0 0	KU331720	7	31	4 8 J 8 H	HH481980	14	16
3 3 H 3 U 0 0	KU331730	7	29	4 8 J 8 H	HH481980	15	11
3 3 H 4 U 0 0	KU331740	7	7	4 8 J 9 H 0 1	HH481991	14	23
3 3 H 5 U 0 0	KU331750	7	40	4 8 J 9 H 0 1	HH481991	15	21
3 3 H 6 U 0 0	KU331760	7	41	4 8 K 0 N 0 0	KN482000	14	21
3 3 J 0 U 0 0	KU331900	7	15	4 8 K 1 N 0 0	KN482010	14	13
3 3 J 1 U 0 0	KU331910	7	4	4 8 L I H	HH482110	15	20
3 3 J 3 U 0 0	KU331930	7	12	4 8 S 3 P 0 0	HP482830	14	4
3 3 J 4 P 0 0	HP331940	7	9	4 8 S 3 P 0 1	HP482831	14	11
3 3 J 4 P 0 0	HP331940	7	23	4 8 S 7 N 0 0	KN482870	14	5
3 3 J 5 P 0 0	HP331950	7	36	4 8 S 8 N 0 0	KN482880	14	7
3 3 J 6 P 0 0	HP331960	7	10	4 8 S 8 P 0 0	HP482830	15	3
3 3 1 5 G	KG330150	7	18	4 8 T 1 P 0 0	HP482910	15	8
3 3 1 7 C	KC330170	7	2	4 8 T 4 P 0 0	HP482940	14	11
3 3 2 8 H 0 1	HH330281	7	1	4 8 T 4 P 0 0	HP482940	15	6
3 3 3 1 C	KC330310520	6	28	4 8 T 5 P 0 0	HP482950	14	6
3 3 3 8 F 0 1	KF330381	5	1	4 8 T 5 P 0 0	HP482950	15	5
3 3 3 8 F 0 1	KF330381	6	27	4 8 T 8 P 0 0	HP482980	14	26
3 3 4 1 C	KF230540	5	4	4 8 T 8 P 0 0	HP482980	15	19
3 3 5 1 C	KC330510	7	27	4 8 T 9 P 0 0	HP482990	14	15
3 3 6 2 H	HH330620	7	6	4 8 T 9 P 0 0	HP482990	15	12
3 3 6 7 H	HH330670	7	34	4 8 V 1 P 0 0	HP483110	15	2
3 3 8 1 H	HH330810	7	13	4 8 V 8 U 0 0	KU483180	15	4
4 6 2 4 T 0 0	MT460240	14	18	4 8 Y 0 N 0 0	KN483400	14	20
4 6 2 4 T 0 0	MT460240	15	25	4 8 Y 4 U 0 0	KU483440	14	9
4 6 2 7 T 0 0	MT460270	15	24	4 8 Y 5 N 0 0	KN483450	14	22
4 6 2 7 U 0 0	KU460270	14	17	4 8 1 5 C	KC480150	13	5
4 6 3 2 U 0 0	KU460320	15	22	4 8 3 5 C	KC480350	13	3

INDEX - 4 - (702)

Part No.		Page	Item No.	Part No.		Page	Item No.
4842N00	KN480420	13	2	55T0140	EBN00700	16	24
4917U0K	KU490170	15	10	55T0150	EBN00710	16	25
4918U00	KU490180	15	10	71B7U00	KU711170	10	4
4970U00	KU490700	13	13	7126HJ	KC710260	10	7
51C1U00	KU511210	16	3	7128F	KF710280	10	8
51C7T00	MT511270	16	2	7138A	MA710380	10	4
51H3UAU	EAN016A1	16	1	7179P00	HP710790	10	5
51H4UAU	EAN016A2	16	13	740F300	HQ741F30	7	32
51H9UAU	EAN019A3	16	14	91001	A9010001	7	37
51J5UAU	EAN020A3	16	14	91006	A9010006	14	3
51J6UAU	EAN021A3	16	14	91006	A9010006	15	1
51J7UAU	EAN022A3	16	14	91009	A9010009	6	21
5121T00	MT510210	12	14	91009	A9010009	9	14
5124C	KC510240	12	13	911B2	A9011112	5	7
5141U00	KU510410	8	18	91121	A9011021	6	23
5311F	KF530110	16	18	91122	A9011022	6	26
5312F	KF530120	16	18	91123	A9011023	6	22
5315F	KF530150	16	20	91142	A9011042	12	2
5316F	KF530160	16	15	91149	A9011049	7	5
5317F	KF530170	16	16	91163	A9011063	14	14
5318F	KF530180	16	19	91163	A9011063	15	14
5319F	KF530190	16	17	91179	A9011079	14	25
5416U00	KU540160	11	7	912E3	A9012143	7	39
5417F	KF540170	11	8	912F0	A9012150	7	8
5418F	KF540180	11	6	91201	A9012001	6	29
5435F	KF540350	11	9	91201	A9012001	7	19
55T0000	EBN00560	16	11	91202	A9012002	7	28
55T0010	EBN00570	16	9	91203	A9012003	6	29
55T0020	EBN00580	16	5	91205	A9012005	6	29
55T0030	EBN00590	16	4	91207	A9012007	3	6
55T0040	EBN00600	16	6	91207	A9012007	4	4
55T0050	EBN00610	16	12	91208	A9012008	2	9
55T0060	EBN00620	16	7	91227	A9012027	3	14
55T0070	EBN00630	16	8	91252	A9012052	14	27
55T0080	EBN00640	16	10	91252	A9012052	15	18
55T0090	EBN00650	8	6	91255	A9012055	7	38
55T0100	EBN00660	7	3	920A6	A9020106	12	6
55T0110	EBN00670	16	21	92098	A9020098	14	10
55T0120	EBN00680	16	22	92098	A9020098	15	7
55T0130	EBN00690	16	23	95224	A9052024	14	19



INDEX - 5 - (702)

Part No.		Page	Item No.	Part No.		Page	Item No.
9 5 2 2 4	A 9 0 5 2 0 2 4	1 5	2 6				
9 5 2 2 6	A 9 0 5 2 0 2 6	1 4	2				
9 5 2 2 6	A 9 0 5 2 0 2 6	1 5	2 3				
9 5 6 1 1	A 9 0 5 6 0 1 1	7	2 4				

